



DÖTTLING

FINEST GERMAN HANDCRAFT  
SINCE 1919



FOCUSLINE

**Uncompromising security at an affordable price: the FocusLine by Döttling**

Quality has its price, but that doesn't mean it can't be affordable. For proof, just look at Döttling's new FocusLine, the first series from our safe manufactory for budget-conscious connoisseurs. This is made possible by the modular design, which, like building blocks, allows you to put

together your interior from individual modular boxes. Of course, FocusLine provides maximum security for your watches, jewelry, documents, and much more. And in terms of workmanship and aesthetics, it is a genuine Döttling through and through – that is to say, uncompromising.

Döttling GmbH

Laurentiusstraße 18  
71069 Sindelfingen  
Germany

Tel. +49 7031 437456-0  
Fax +49 7031 437456-1  
info@doettling.com

Doettling.com



# DÖTTLING

FINEST GERMAN HANDCRAFT  
SINCE 1919



WERTSCHUTZSCHRANK	
Prüfzeichen	02400 0773
Widerstandsgrad	N/0 / EN 1143-1
Anerkennungs-Nr.	M106013 H011 VV06
Fabrikations-Nr.	70302
Masse (kg)	205
Baujahr	2016

www.vds.de

VdS Schadenverhütung  
Zertifizierungsstelle gemäß Europannorm EN 45011

Member of

The basic model fulfills VdS/EN class N (zero) security requirements, with VdS/EN class 4 also possible upon request. In addition, FocusLine offers certified, 60-P class S fire protection. This means that documents inside the safe can withstand one hour in an ambient temperature of 1,090 degrees Celsius (1,994 degrees Fahrenheit).

DATENSICHERUNGSSCHRANK	
Prüfzeichen	FS 11900 1573
Güteklasse	S 30 P / EN 1047-1
Anerkennungs-Nr.	M106013 H011 VV06
Fabrikations-Nr.	70302
Masse (kg)	205
Baujahr	2016

www.vds.de

VdS Schadenverhütung  
Zertifizierungsstelle gemäß Europannorm EN 45011

Member of

The lock is equipped with an emergency opening function. In the event of a technical defect, for example caused by fire or attempted burglary, the safe can still be opened with the high-security key. This eliminates the need for a costly emergency opening.





DÖTTLING

FINEST GERMAN HANDCRAFT  
SINCE 1919



Our new modular system comes into play inside the FocusLine. The safe can be equipped with individual modular boxes to store documents, jewelry, or watches.

For instance, one of these modular boxes can accommodate four watch winders by the renowned Swiss manufacturer SwissKubiK.



# DÖTTLING

FINEST GERMAN HANDCRAFT  
SINCE 1919



Fitting in standard chrome



Fitting in 24 carat gold



Fitting in ruthenium

In addition to all of these inner values, here are some details regarding the exterior: The body of the safe is lined with Alcantara, a material familiar from high-quality automotive engineering.

The keypad for code entry and the handle are chrome-plated in the basic version, but can also be upgraded for an additional price, for example with gold or ruthenium plating.





DÖTTLING

FINEST GERMAN HANDCRAFT  
SINCE 1919

Then we cordially invite you to design your own. Among other options, you can select three safe sizes, a variety of interior and exterior colors, and, of course, the safe's centerpiece: module boxes in various designs.







Naturally, as befits a safe made by Döttling, there are also customization options available for the FocusLine.

For example, high-quality Alcantara upholstery in 45 different color variations.





DÖTTLING

FINEST GERMAN HANDCRAFT  
SINCE 1919



Alternatively, the body can be painted in almost any shade, including all car paint finishes.



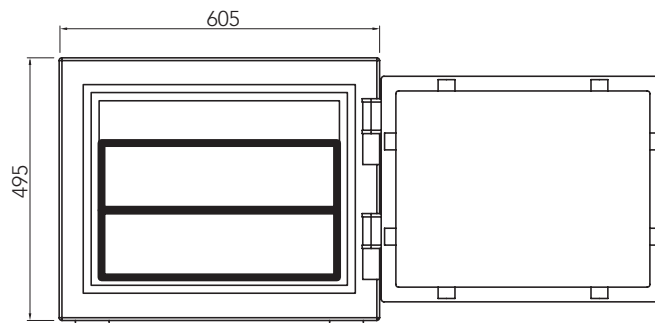
DÖTTLING

FINEST GERMAN HANDCRAFT  
SINCE 1919

## Safe sizes

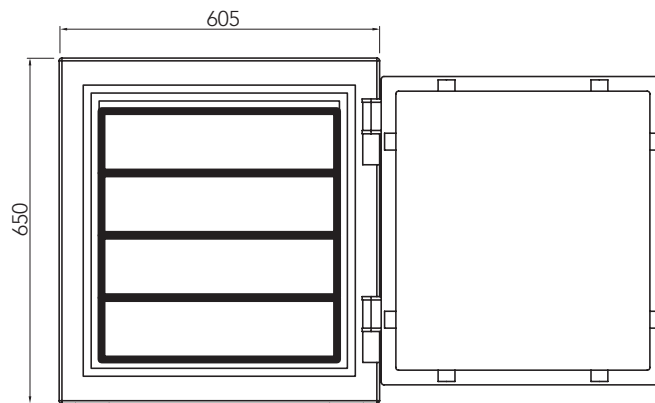
Choose from a range of interior elements or order your FocusLine safe empty, i.e. without modular boxes.

FocusLine 1



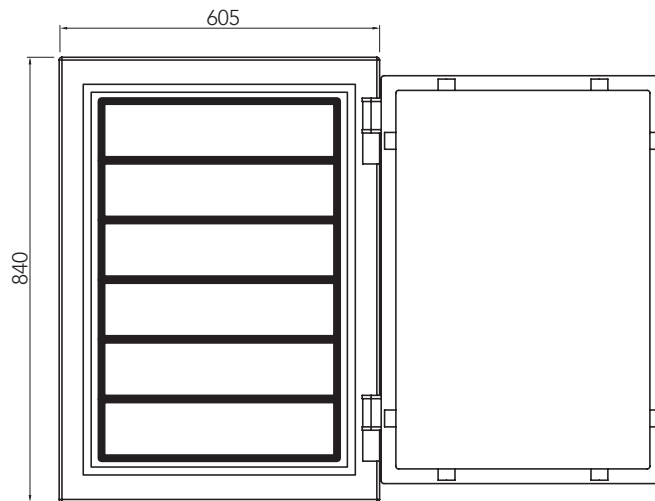
Depth incl. fittings 560 mm  
Weight 150 kg

FocusLine 2



Depth incl. fittings 560 mm  
Weight 205 kg

FocusLine 3



Depth incl. fittings 560 mm  
Weight 240 kg



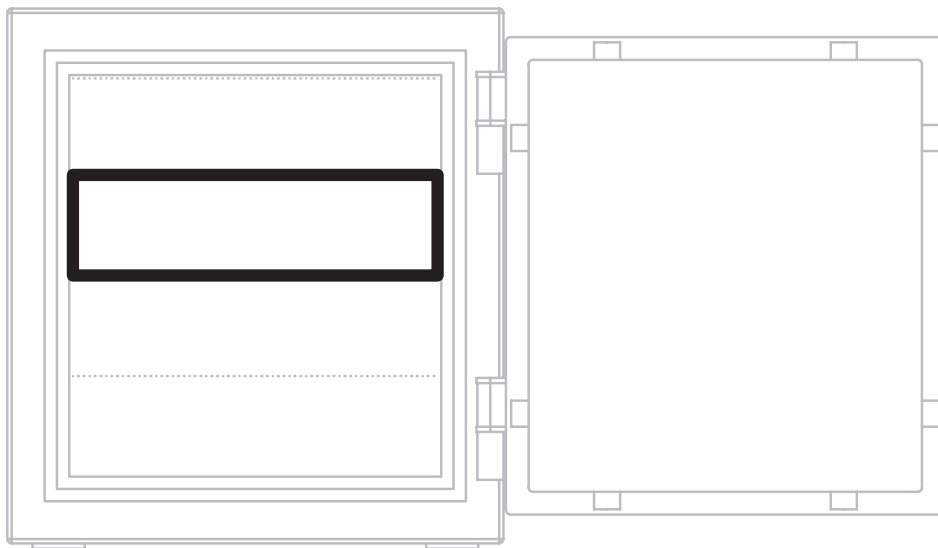


DÖTTLING

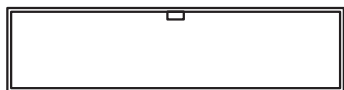
FINEST GERMAN HANDCRAFT  
SINCE 1919

## Modular boxes

Choose from a range of interior elements or order your FocusLine safe empty, i.e. without modular boxes.

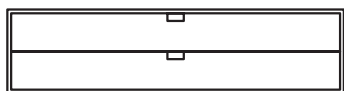


Watch winders



High drawer

Drawer can be equipped with watch rolls or necklace holders.



Double drawer

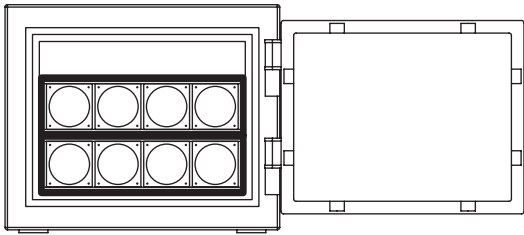
Drawer contains 2 flat drawers.  
It can be selected from 5 variants.



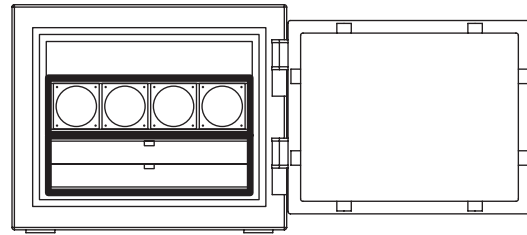
DÖTTLING

FINEST GERMAN HANDCRAFT  
SINCE 1919

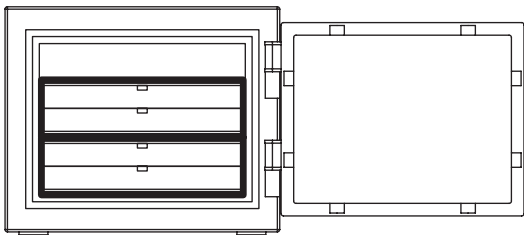
## Filling options - Examples FocusLine 1



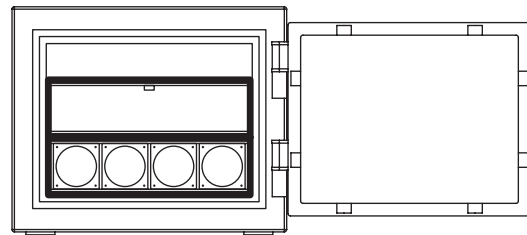
Example 1



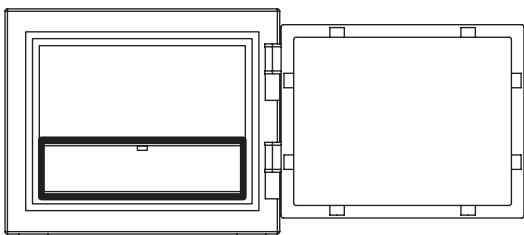
Example 2



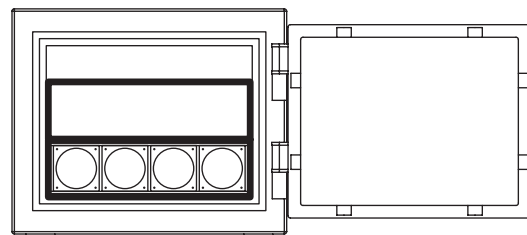
Example 3



Example 4



Example 5



Example 6

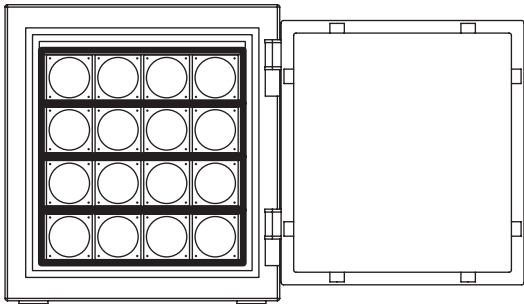




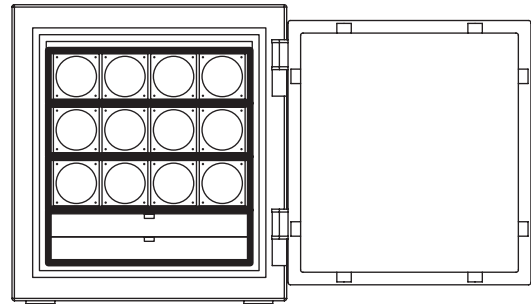
DÖTTLING

FINEST GERMAN HANDCRAFT  
SINCE 1919

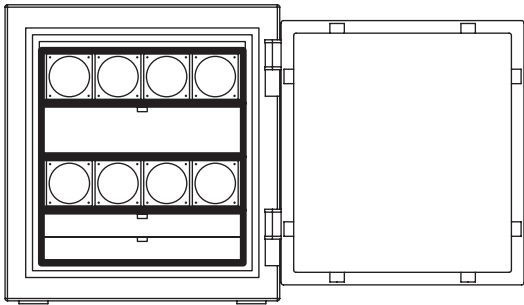
## Filling options - Examples FocusLine 2



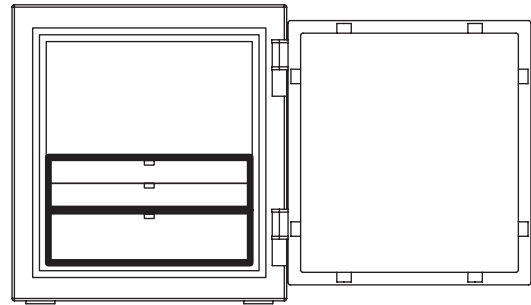
Example 1



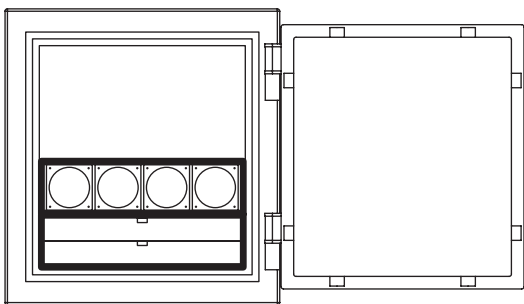
Example 2



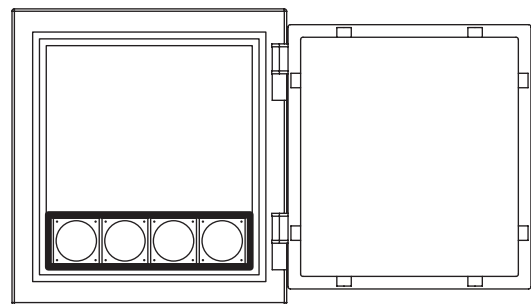
Example 3



Example 4



Example 5



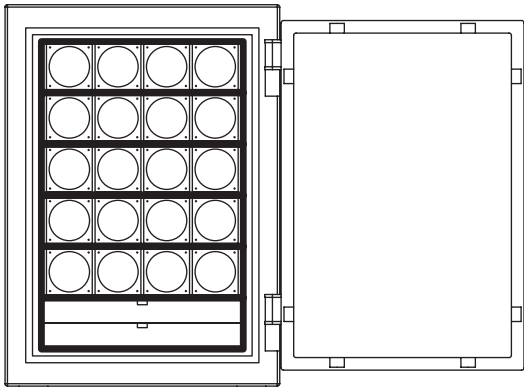
Example 6



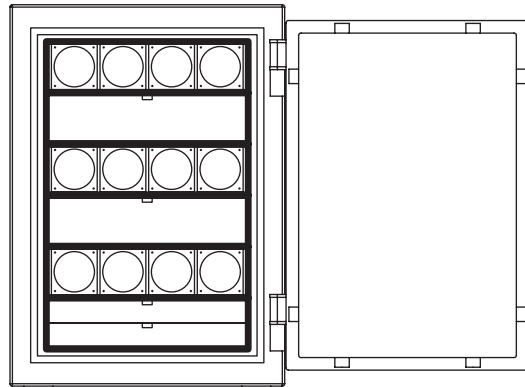
DÖTTLING

FINEST GERMAN HANDCRAFT  
SINCE 1919

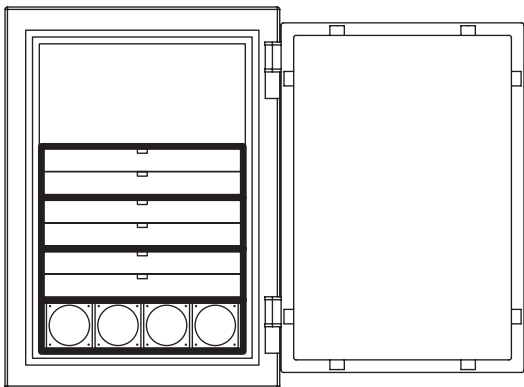
Filling options - Examples FocusLine 3



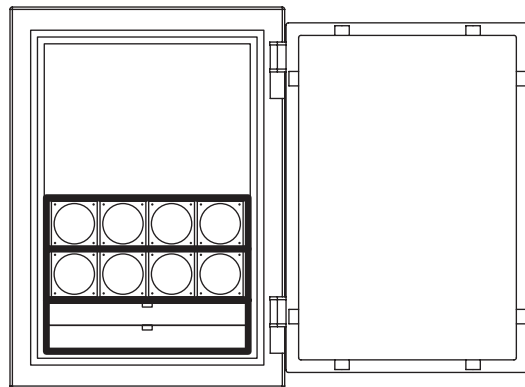
Example 1



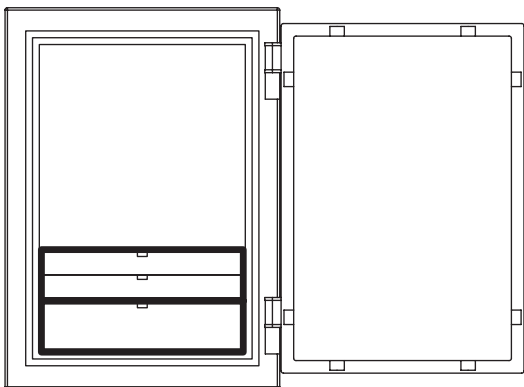
Example 2



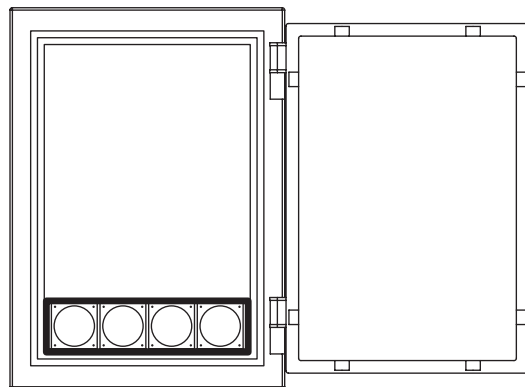
Example 3



Example 4



Example 5



Example 6

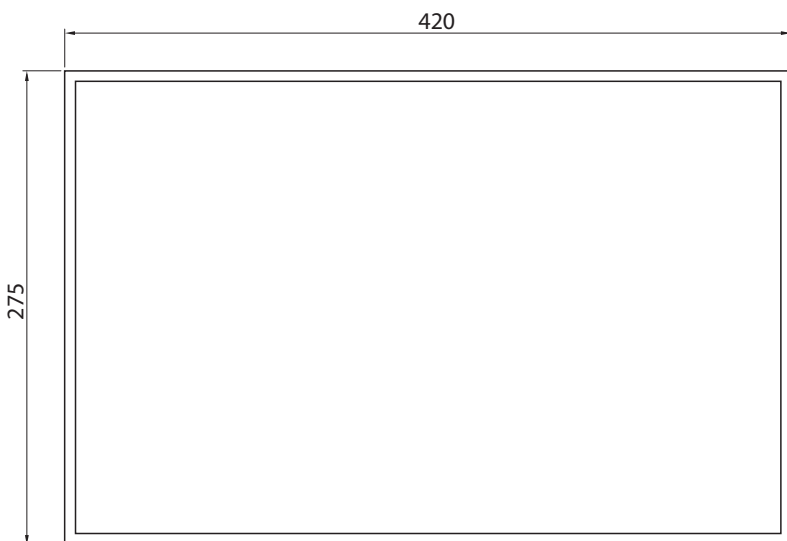
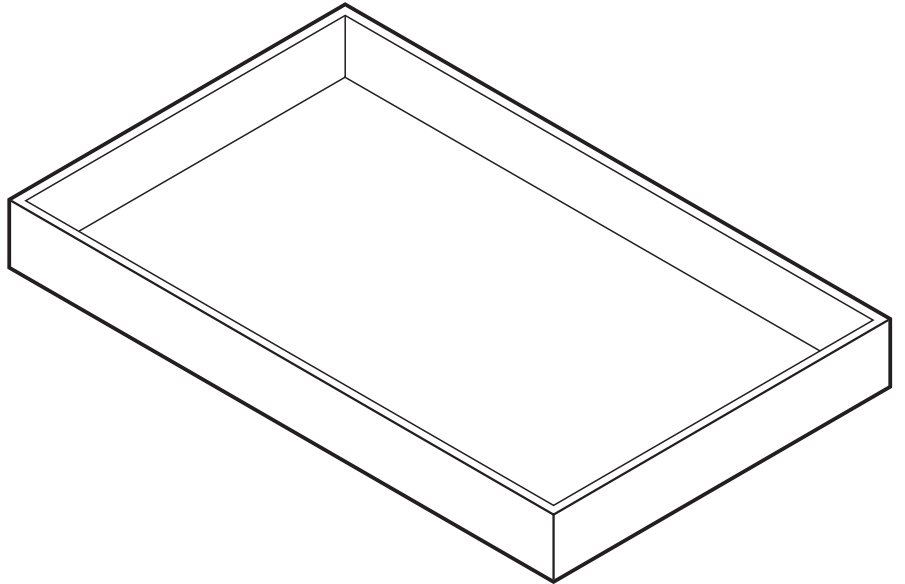




DÖTTLING

FINEST GERMAN HANDCRAFT  
SINCE 1919

Flat drawer 1

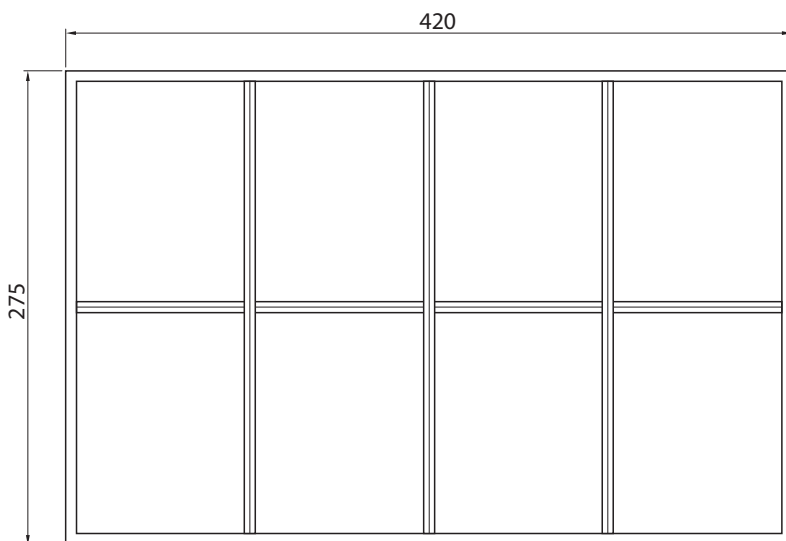
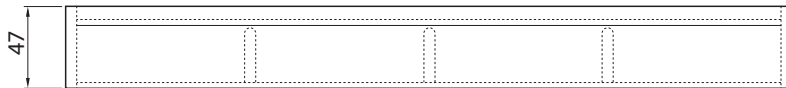
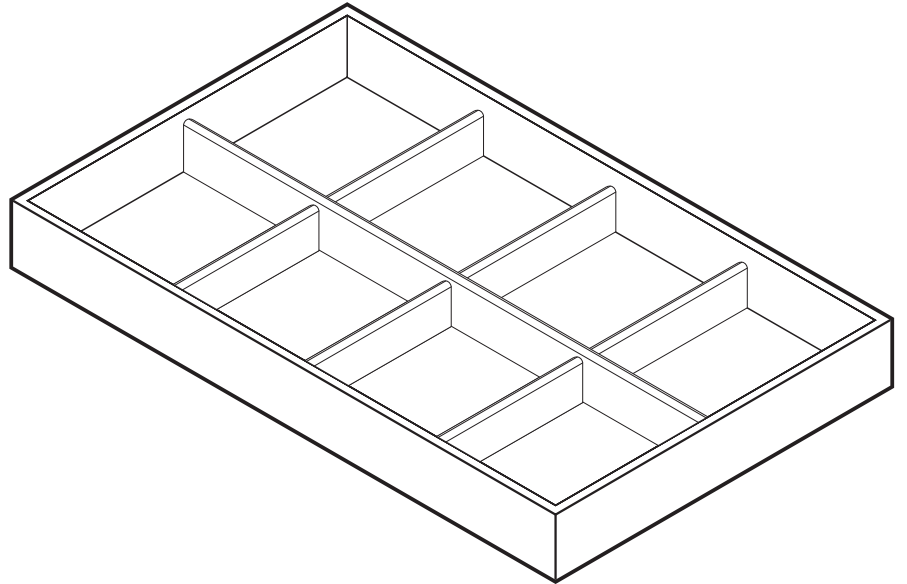




DÖTTLING

FINEST GERMAN HANDCRAFT  
SINCE 1919

Flat drawer 2





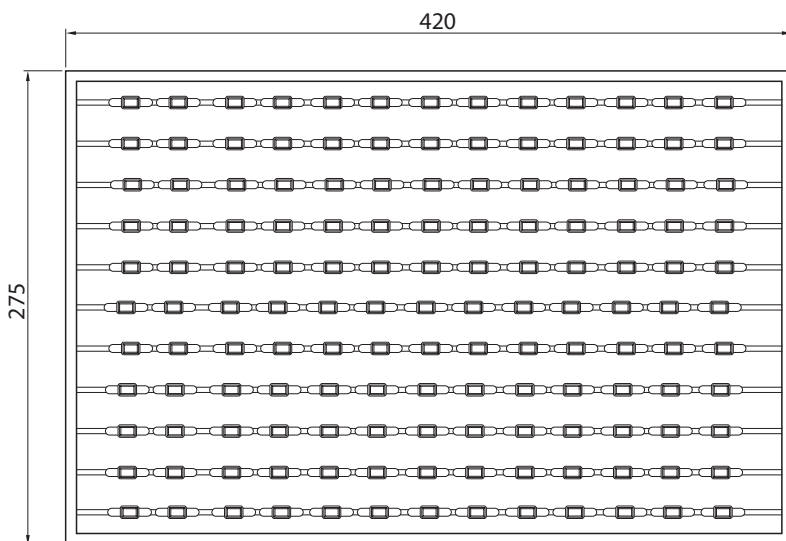
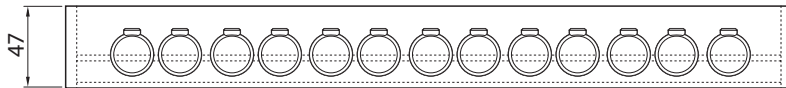
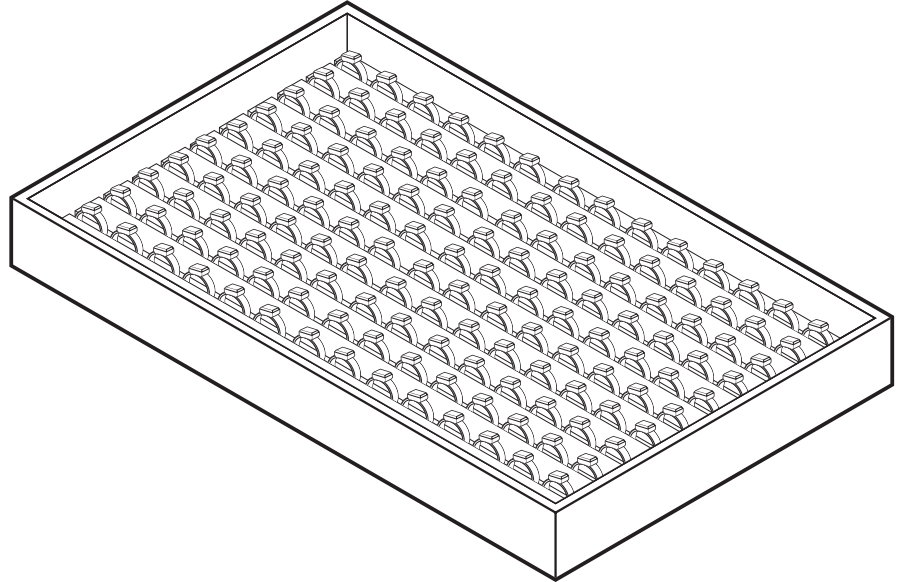


DÖTTLING

FINEST GERMAN HANDCRAFT  
SINCE 1919

Flat drawer 3

For rings



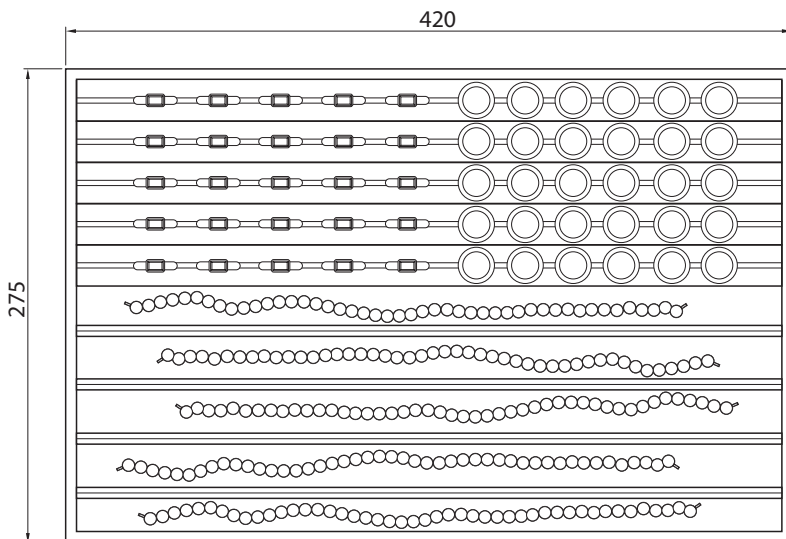
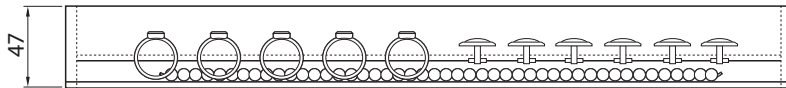
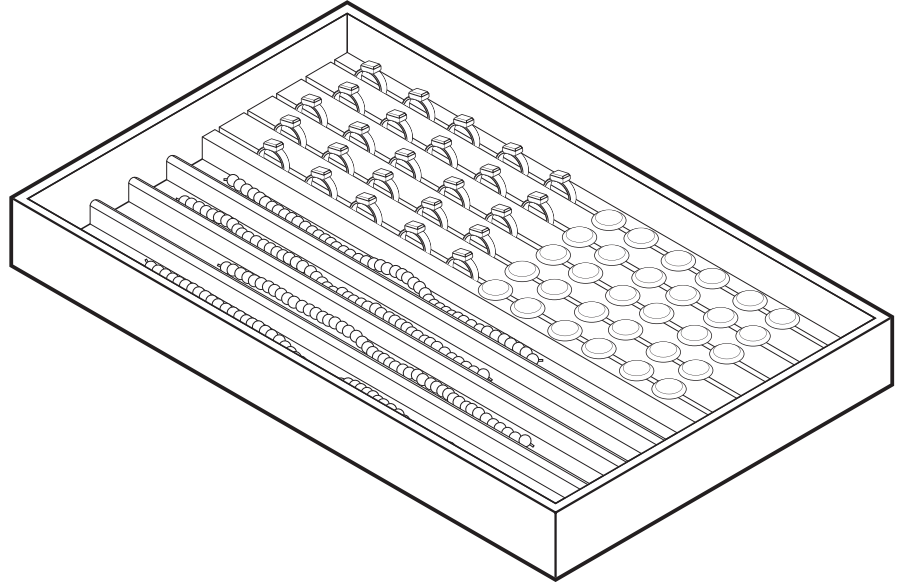


DÖTTLING

FINEST GERMAN HANDCRAFT  
SINCE 1919

Flat drawer 4

For jewelry



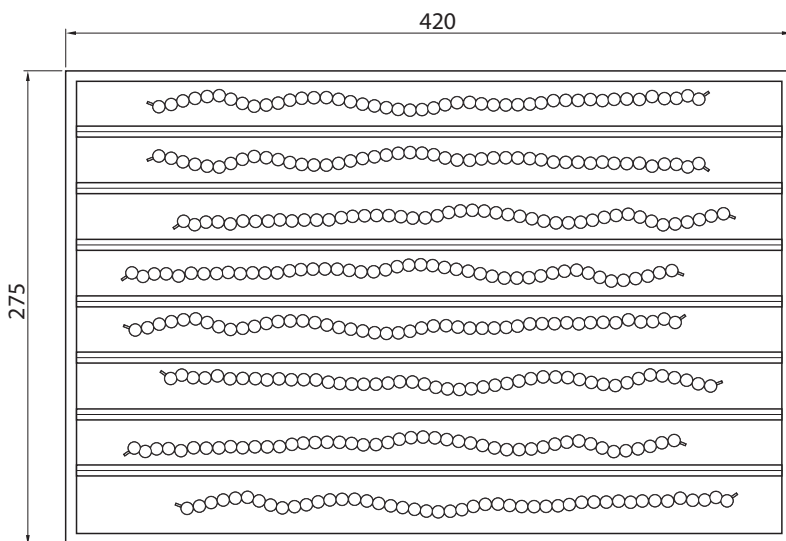
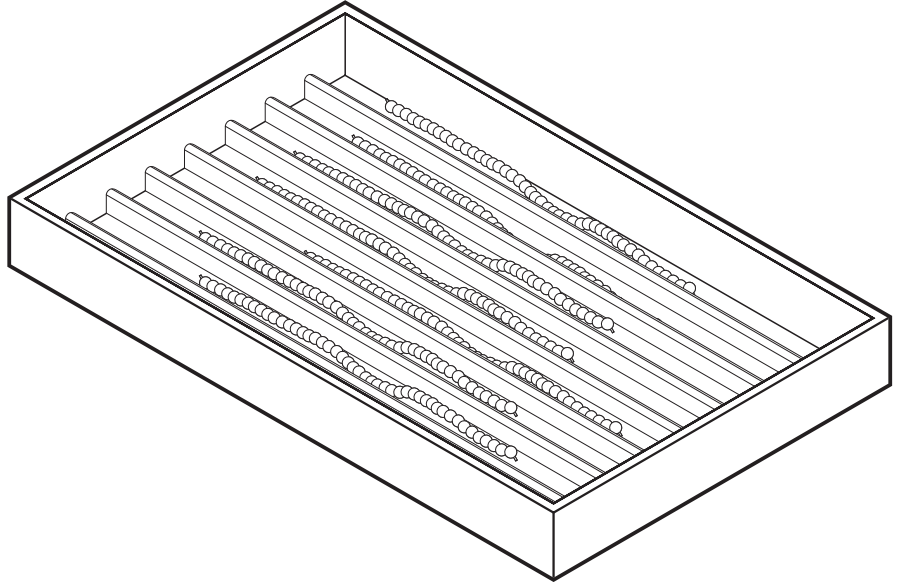


DÖTTLING

FINEST GERMAN HANDCRAFT  
SINCE 1919

Flat drawer 5

For jewelry





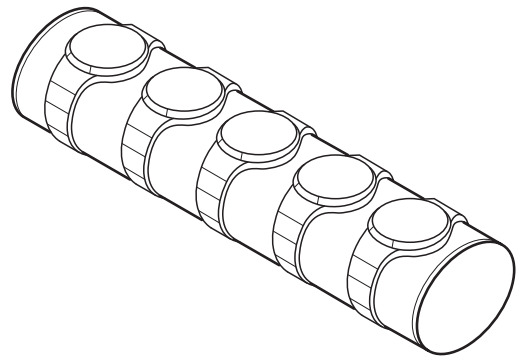
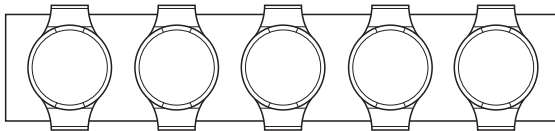
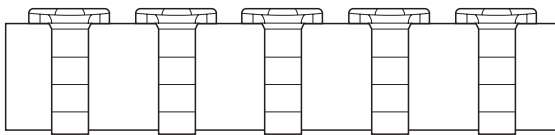
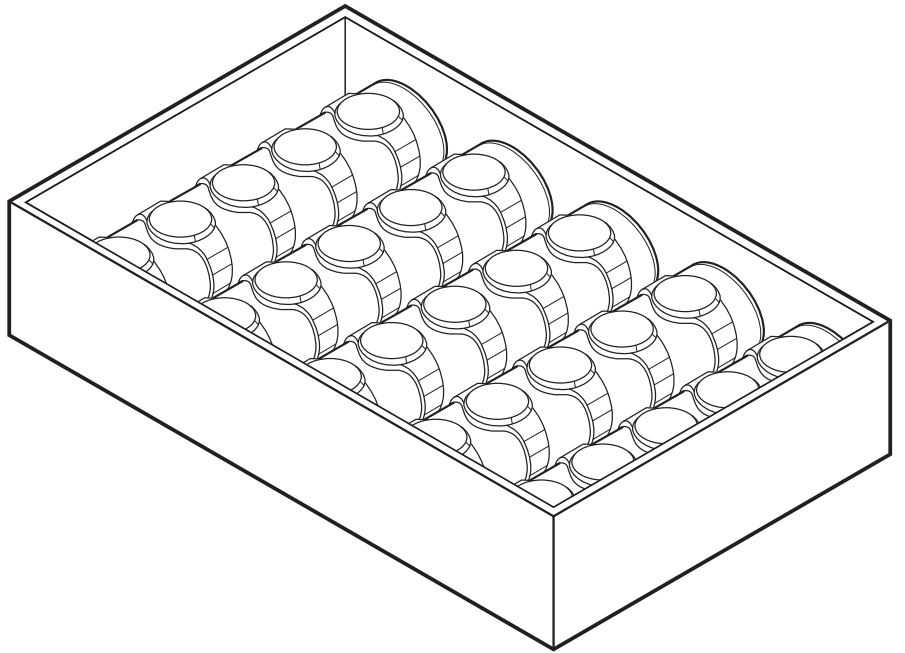


DÖTTLING

FINEST GERMAN HANDCRAFT  
SINCE 1919

## Watch rolls

Each high drawer can accommodate up to five watch rolls. Each watch roll holds up to five watches.



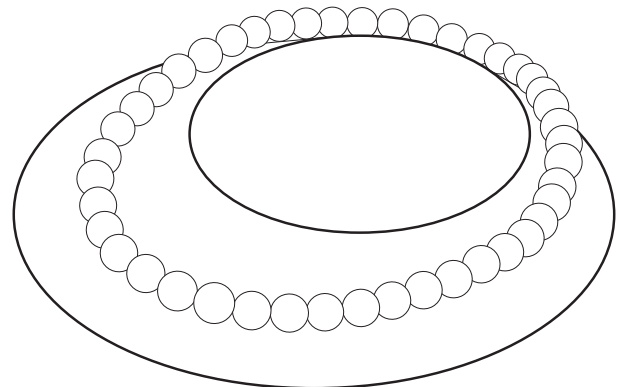
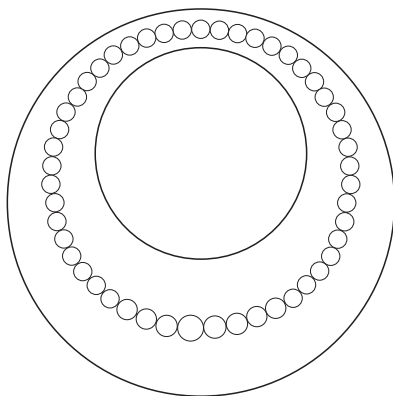
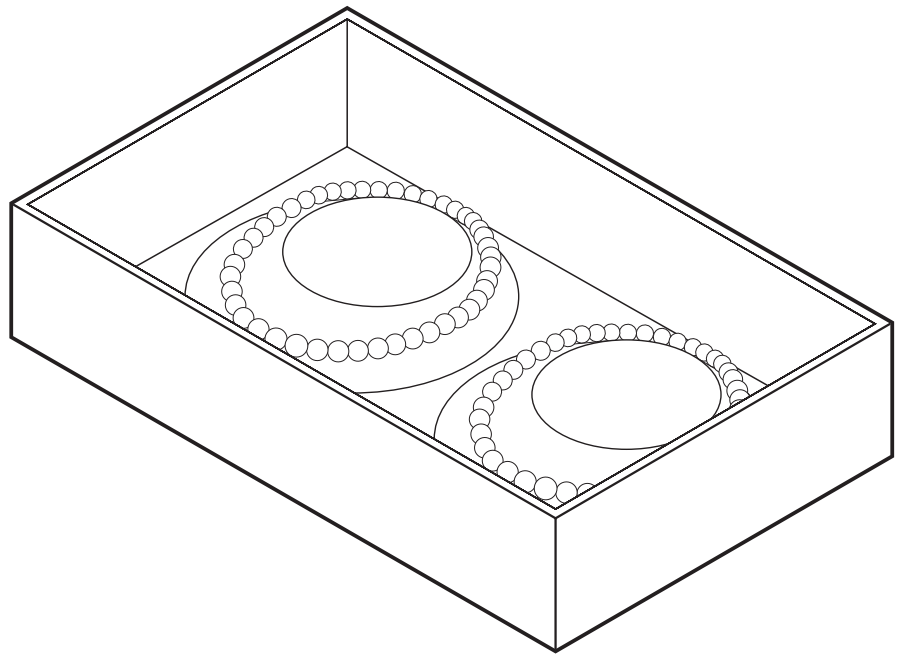


DÖTTLING

FINEST GERMAN HANDCRAFT  
SINCE 1919

## Necklace holders

A maximum of two necklace holders can be placed in each high drawer.



  
**FOCUSLINE**

## Worldwide pricelist

---

The FocusLine is manufactured according to the strictest German industry standard DIN / EN ISO 9001 and complies with the European Guidelines ECB-S/EN 1143-1.

## Dimensions

---

<b>FocusLine 1</b>	<b>FocusLine 2</b>	<b>FocusLine 3</b>
Hight: 495 mm (1' 7.5")	Hight: 650 mm (4' 5.5")	Hight: 840 mm (4' 5.5")
Width: 605 mm (1' 11.8")	Width: 605 mm (1' 11.8")	Width: 605 mm (1' 11.8")
Depth: 560 mm (1' 0.1")	Depth: 560 mm (1' 0.1")	Depth: 560 mm (1' 0.1")
Weight: 150 kg (331 lbs)	Weight: 205 kg (452 lbs)	Weight: 240 kg (529 lbs)

Depth incl. fittings. Flat fittings available upon request.

## Description

---

Safe completely covered with finest Alcantara® suede (standard colors)

Locking bolts in shiny polished stainless steel

High-security safe with emergency opening mechanism (the safe can be opened with a key in an emergency)

The safe is pre-equipped for anchoring at the installation site

Hinges on right-hand side as standard

## Price EUR

---

### VdS class N

FocusLine Size 1	8,900.00
FocusLine Size 2	10,300.00
FocusLine Size 3	11,700.00

### VdS class 1

FocusLine Size 1	9,600.00
FocusLine Size 2	11,100.00
FocusLine Size 3	12,500.00

Modular box with 1 piece empty, high drawer	1,128.00
Modular box with 4 pieces SwissKubiK watch winders	2,750.00
Modular box with 2 pieces flat drawers (all defined variations)	1,950.00
Watch roll	195.00
Necklace holder	175.00

### Packaging

FocusLine Size 1	350.00
FocusLine Size 2	450.00
FocusLine Size 3	600.00

Fixing material / heavy duty bolt	25.00
-----------------------------------	-------

Fitting in ruthenium	1,500.00
Fitting in 24 carat gold	2,000.00

Worldwide price list 2016. Prices are quoted ex works (Sindelfingen/Germany) in EUR, exclusive of sales tax. Subject to change.